
**ISTRUZIONI PER L'INSTALLAZIONE E LA MANUTENZIONE
INSTRUCTIONS DE MISE EN SERVICE ET D'ENTRETIEN
INSTRUCTIONS FOR INSTALLATION AND MAINTENANCE
INSTALLATIONSANWEISUNG UND WARTUNG
INSTRUCTIES VOOR INGEBRUIKNAME EN ONDERHOUD
INSTRUCCIONES PARA LA INSTALACION Y EL MANTENIMIENTO
INSTALLATIONS - OCH UNDERHÅLLSANVISNING
KULLANIM VE BAKIM TALİMATLARI
ИНСТРУКЦИИ ПО МОНТАЖУ И ТЕХНИЧЕСКОМУ ОБСЛУЖИВАНИЮ
MONTAVIMO IR PRIEŽIŪROS INSTRUKCIJA
INSTRUCTIUNI PENTRU INSTALARE SI INTRETINERE
INSTRUÇÕES PARA A INSTALAÇÃO E A MANUTENÇÃO
安装维护说明**

K 36/200 - K 40/200 - K 55/200

K 11/500 - K 18/500 - K 28/500

K 40/400 - K 50/400

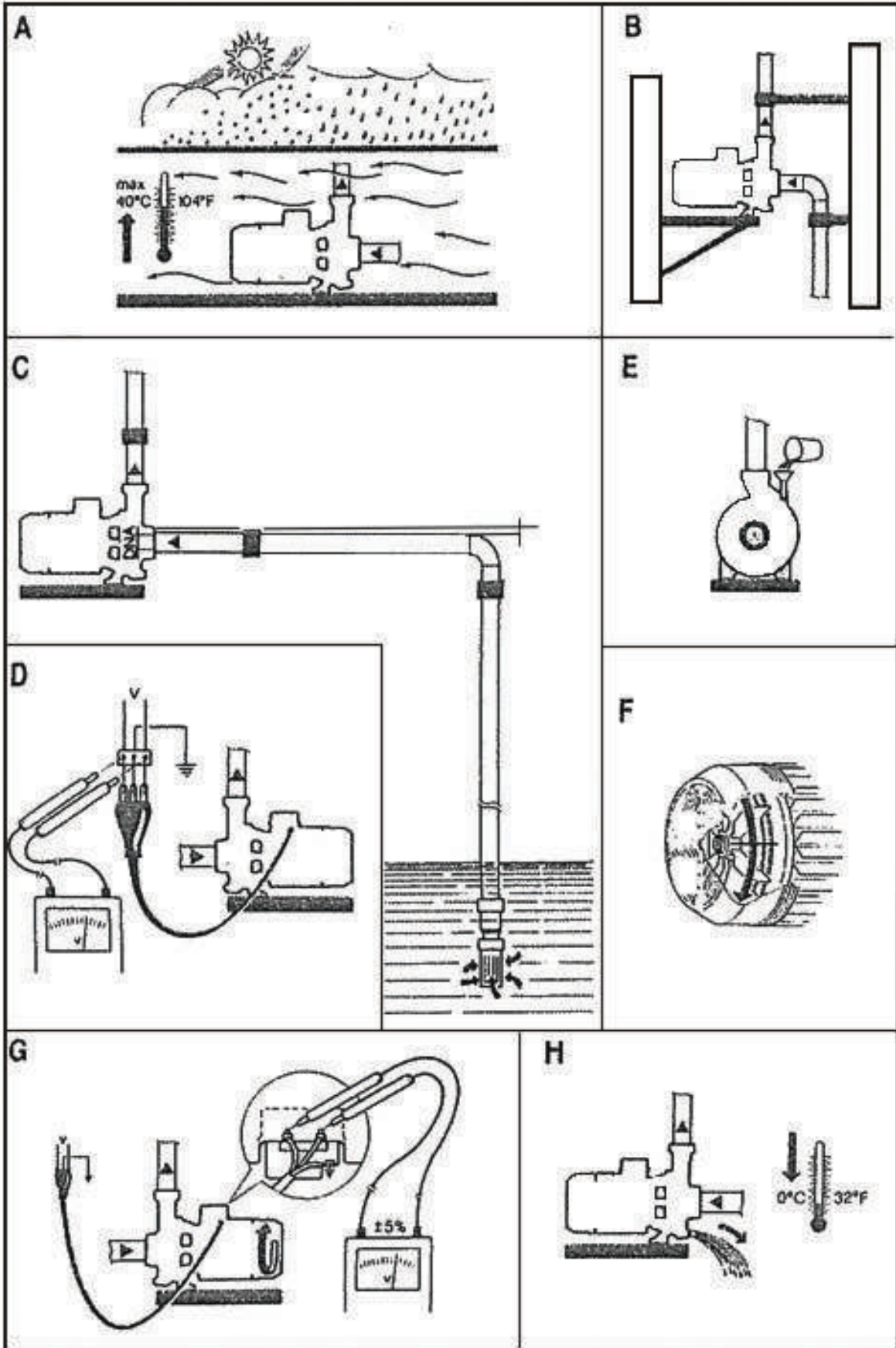
K 30/800 - K 40/800 - K 50/800

K 20/1200 - K 25/1200 - K 35/1200

K 55/100 - K 66/100 - K 90/100

K 70/300 - K 80/300 - K 70/400 - K 80/400





K 36/200 - K 40/200 - K 55/200

K 11/500 - K 18/500 - K 28/500

K 40/400 - K 50/400

K 30/800 - K 40/800 - K 50/800

K 20/1200 - K 25/1200 - K 35/1200

K 55/100 - K 66/100 - K 90/100

K 70/300 - K 80/300 - K 70/400 - K 80/400

KE 36/200 - KE 40/200 - KE 55/200

KE 40/400 - KE 50/400

KE 30/800 - KE 40/800 - KE 50/800

KE 25/1200 - KE 35/1200

KE 55/100 - KE 66/100 - KE 90/100

KE 70/300 - KE 80/300 - KE 70/400 - KE 80/400

<p>(IT) DICHIARAZIONE DI CONFORMITÀ CE Noi, DAB Pumps S.p.A. - Via M.Polo, 14 – Mestrino (PD) – Italy, dichiariamo sotto la nostra esclusiva responsabilità che i prodotti ai quali questa dichiarazione si riferisce sono conformi alle seguenti direttive:</p> <ul style="list-style-type: none"> – 2006/42/CE (Machine Directive) – 2006/95/CE (Low Voltage Directive) – 2004/108/CE (Electromagnetic Compatibility Directive) – 2009/125/EC ErP (Energy related Products) – 2011/65/EU (Restriction of the use of certain hazardous substances in electrical and electronic equipment) <p>ed alle seguenti norme:</p> <ul style="list-style-type: none"> – EN 60335-1 : 10 (Household and Similar Electrical Appliances – Safety) – EN 60335-2-41 : 05 (Particular Requirements for Pumps) – EN 60204-1 : 06 (Electrical Equipment of Machines) – EN 809 : 98 (Pumps and pump units for liquids - Common safety requirements) 	<p>(FR) DÉCLARATION DE CONFORMITÉ CE Nous, DAB Pumps S.p.A. - Via M.Polo, 14 – Mestrino (PD) – Italy, déclarons sous notre responsabilité exclusive que les produits auxquels cette déclaration se réfère sont conformes aux directives suivantes:</p> <ul style="list-style-type: none"> – 2006/42/CE (Machine Directive) – 2006/95/CE (Low Voltage Directive) – 2004/108/CE (Electromagnetic Compatibility Directive) – 2009/125/EC ErP (Energy related Products) – 2011/65/EU (Restriction of the use of certain hazardous substances in electrical and electronic equipment) <p>ainsi qu'aux normes suivantes :</p> <ul style="list-style-type: none"> – EN 60335-1 : 10 (Household and Similar Electrical Appliances – Safety) – EN 60335-2-41 : 05 (Particular Requirements for Pumps) – EN 60204-1 : 06 (Electrical Equipment of Machines) – EN 809 : 98 (Pumps and pump units for liquids - Common safety requirements)
<p>(GB) DECLARATION OF CONFORMITY CE We, DAB Pumps S.p.A. - Via M.Polo, 14 – Mestrino (PD) – Italy, declare under our responsibility that the products to which this declaration refers are in conformity with the following directives:</p> <ul style="list-style-type: none"> – 2006/42/CE (Machine Directive) – 2006/95/CE (Low Voltage Directive) – 2004/108/CE (Electromagnetic Compatibility Directive) – 2009/125/EC ErP (Energy related Products) – 2011/65/EU (Restriction of the use of certain hazardous substances in electrical and electronic equipment) <p>and with the following standards:</p> <ul style="list-style-type: none"> – EN 60335-1 : 10 (Household and Similar Electrical Appliances – Safety) – EN 60335-2-41 : 05 (Particular Requirements for Pumps) – EN 60204-1 : 06 (Electrical Equipment of Machines) – EN 809 : 98 (Pumps and pump units for liquids - Common safety requirements) 	<p>(DE) EG-KONFORMITÄTSERKLÄRUNG Wir, DAB Pumps S.p.A. - Via M.Polo, 14 – Mestrino (PD) – Italy, erklären unter unserer ausschließlichen Verantwortlichkeit, dass die Produkte auf die sich diese Erklärung bezieht, den folgenden Richtlinien:</p> <ul style="list-style-type: none"> – 2006/42/CE (Machine Directive) – 2006/95/CE (Low Voltage Directive) – 2004/108/CE (Electromagnetic Compatibility Directive) – 2009/125/EC ErP (Energy related Products) – 2011/65/EU (Restriction of the use of certain hazardous substances in electrical and electronic equipment) <p>sowie den folgenden Normen entsprechen:</p> <ul style="list-style-type: none"> – EN 60335-1 : 10 (Household and Similar Electrical Appliances – Safety) – EN 60335-2-41 : 05 (Particular Requirements for Pumps) – EN 60204-1 : 06 (Electrical Equipment of Machines) – EN 809 : 98 (Pumps and pump units for liquids - Common safety requirements)
<p>(NL) EG-VERKLARING VAN OVEREENSTEMMING Wij, DAB Pumps S.p.A. - Via M.Polo, 14 – Mestrino (PD) – Italy, verklaren uitsluitend voor eigen verantwoordelijkheid dat de producten waarop deze verklaring betrekking heeft, conform de volgende richtlijnen zijn:</p> <ul style="list-style-type: none"> – 2006/42/CE (Machine Directive) – 2006/95/CE (Low Voltage Directive) – 2004/108/CE (Electromagnetic Compatibility Directive) – 2009/125/EC ErP (Energy related Products) – 2011/65/EU (Restriction of the use of certain hazardous substances in electrical and electronic equipment) <p>en conform de volgende normen:</p> <ul style="list-style-type: none"> – EN 60335-1 : 10 (Household and Similar Electrical Appliances – Safety) – EN 60335-2-41 : 05 (Particular Requirements for Pumps) – EN 60204-1 : 06 (Electrical Equipment of Machines) – EN 809 : 98 (Pumps and pump units for liquids - Common safety requirements) 	<p>(ES) DECLARACIÓN DE CONFORMIDAD CE Nosotros, DAB Pumps S.p.A. - Via M.Polo, 14 – Mestrino (PD) – Italy, declaramos bajo nuestra exclusiva responsabilidad que los productos a los que se refiere esta declaración son conformes con las directivas siguientes:</p> <ul style="list-style-type: none"> – 2006/42/CE (Machine Directive) – 2006/95/CE (Low Voltage Directive) – 2004/108/CE (Electromagnetic Compatibility Directive) – 2009/125/EC ErP (Energy related Products) – 2011/65/EU (Restriction of the use of certain hazardous substances in electrical and electronic equipment) <p>y con las normas siguientes:</p> <ul style="list-style-type: none"> – EN 60335-1 : 10 (Household and Similar Electrical Appliances – Safety) – EN 60335-2-41 : 05 (Particular Requirements for Pumps) – EN 60204-1 : 06 (Electrical Equipment of Machines) – EN 809 : 98 (Pumps and pump units for liquids - Common safety requirements)
<p>(SE) EG-FÖRSÄKRAN OM ÖVERENSSTÄMMELSE Vi, DAB Pumps S.p.A. - Via M.Polo, 14 – Mestrino (PD) – Italy, försäkrar under eget ansvar att produkterna som denna försäkrans avser är i överensstämmelse med följande direktiv:</p> <ul style="list-style-type: none"> – 2006/42/CE (Machine Directive) – 2006/95/CE (Low Voltage Directive) – 2004/108/CE (Electromagnetic Compatibility Directive) – 2009/125/EC ErP (Energy related Products) – 2011/65/EU (Restriction of the use of certain hazardous substances in electrical and electronic equipment) <p>och följande standarder:</p> <ul style="list-style-type: none"> – EN 60335-1 : 10 (Household and Similar Electrical Appliances – Safety) – EN 60335-2-41 : 05 (Particular Requirements for Pumps) – EN 60204-1 : 06 (Electrical Equipment of Machines) – EN 809 : 98 (Pumps and pump units for liquids - Common safety requirements) 	<p>(TR) CE UYGUNLUK BEYANNAMESİ Biz, DAB Pumps S.p.A. - Via M.Polo, 14 – Mestrino (PD) – Italy, Münhasır sorumluluğumuz altında olarak aşağıda belirtilen ve işbu beyannamenin ilişkin olduğu ürünlerin aşağıdaki direktiflere:</p> <ul style="list-style-type: none"> – 2006/42/CE (Machine Directive) – 2006/95/CE (Low Voltage Directive) – 2004/108/CE (Electromagnetic Compatibility Directive) – 2009/125/EC ErP (Energy related Products) – 2011/65/EU (Restriction of the use of certain hazardous substances in electrical and electronic equipment) <p>ve aşağıdaki standartlara uygun olduklarını beyan ederiz:</p> <ul style="list-style-type: none"> – EN 60335-1 : 10 (Household and Similar Electrical Appliances – Safety) – EN 60335-2-41 : 05 (Particular Requirements for Pumps) – EN 60204-1 : 06 (Electrical Equipment of Machines) – EN 809 : 98 (Pumps and pump units for liquids - Common safety requirements)

<p>(RU) ЗАЯВЛЕНИЕ О СООТВЕТСТВИИ CE Мы, DAB Pumps S.p.A. - Via M.Polo, 14 – Mestrino (PD) – Italy, заявляем под полную нашу ответственность, что изделия к которым относится данное заявление, отвечают требованиям следующих директив:</p> <ul style="list-style-type: none"> - 2006/42/CE (Machine Directive) - 2006/95/CE (Low Voltage Directive) - 2004/108/CE (Electromagnetic Compatibility Directive) - 2009/125/EC ErP (Energy related Products) - 2011/65/EU (Restriction of the use of certain hazardous substances in electrical and electronic equipment) <p>и следующих нормативов:</p> <ul style="list-style-type: none"> - EN 60335-1 : 10 (Household and Similar Electrical Appliances – Safety) - EN 60335-2-41 : 05 (Particular Requirements for Pumps) - EN 60204-1 : 06 (Electrical Equipment of Machines) - EN 809 : 98 (Pumps and pump units for liquids - Common safety requirements) 	<p>(LT) ES ATITIKTIES DEKLARACIJA Mes, DAB Pumps S.p.A. - Via M.Polo, 14 – Mestrino (PD) – Italy, atsakingai pareiškiamo, kad produktai atitinka šių direktyvų reikalavimus:</p> <ul style="list-style-type: none"> - 2006/42/CE (Machine Directive) - 2006/95/CE (Low Voltage Directive) - 2004/108/CE (Electromagnetic Compatibility Directive) - 2009/125/EC ErP (Energy related Products) - 2011/65/EU (Restriction of the use of certain hazardous substances in electrical and electronic equipment) <p>bei šių normų reikalavimus:</p> <ul style="list-style-type: none"> - EN 60335-1 : 10 (Household and Similar Electrical Appliances – Safety) - EN 60335-2-41 : 05 (Particular Requirements for Pumps) - EN 60204-1 : 06 (Electrical Equipment of Machines) - EN 809 : 98 (Pumps and pump units for liquids - Common safety requirements)
<p>(RO) DECLARAȚIE DE CONFORMITATE CE Noi, DAB Pumps S.p.A. - Via M.Polo, 14 – Mestrino (PD) – Italy, declarăm sub exclusivă noastră responsabilitate că produsele la care se referă această declarație sunt conforme cu următoarele directive:</p> <ul style="list-style-type: none"> - 2006/42/CE (Machine Directive) - 2006/95/CE (Low Voltage Directive) - 2004/108/CE (Electromagnetic Compatibility Directive) - 2009/125/EC ErP (Energy related Products) - 2011/65/EU (Restriction of the use of certain hazardous substances in electrical and electronic equipment) <p>și cu următoarele norme:</p> <ul style="list-style-type: none"> - EN 60335-1 : 10 (Household and Similar Electrical Appliances – Safety) - EN 60335-2-41 : 05 (Particular Requirements for Pumps) - EN 60204-1 : 06 (Electrical Equipment of Machines) - EN 809 : 98 (Pumps and pump units for liquids - Common safety requirements) 	<p>(PT) DECLARAÇÃO DE CONFORMIDADE CE Nós, DAB Pumps S.p.A. - Via M.Polo, 14 – Mestrino (PD) – Italy, declaramos sob nossa exclusivă responsabilidade que os produtos aos quais esta declaração diz respeito, estão em conformidade com as seguintes directivas:</p> <ul style="list-style-type: none"> - 2006/42/CE (Machine Directive) - 2006/95/CE (Low Voltage Directive) - 2004/108/CE (Electromagnetic Compatibility Directive) - 2009/125/EC ErP (Energy related Products) - 2011/65/EU (Restriction of the use of certain hazardous substances in electrical and electronic equipment) <p>e com as seguintes normas:</p> <ul style="list-style-type: none"> - EN 60335-1 : 10 (Household and Similar Electrical Appliances – Safety) - EN 60335-2-41 : 05 (Particular Requirements for Pumps) - EN 60204-1 : 06 (Electrical Equipment of Machines) - EN 809 : 98 (Pumps and pump units for liquids - Common safety requirements)

欧盟符合标准声明

我们，即

ERROR: undefinedfilename
OFFENDING COMMAND: .libfile

STACK:

()
/
/Font
/
/WPBBVE+